

LiftMaster®

Solar Powered LED Motion Sensor Light

Model 815LM

FEATURES

- Turns on light when motion is detected.
- Automatically turns light off.
- Photocell keeps the light off during daylight hours.
- **Battery Protection Circuitry.** Unit will shut down when battery is low. Unit will automatically resume operation when battery is recharged to a safe level.

INITIAL BATTERY CHARGE

The solar panel requires full, direct sunlight to charge the battery. Clouds, rain, snow, and other weather conditions may not allow the solar panel to completely recharge the battery. Other obstructions such as buildings or trees may block the sun as well.

When installing the solar panel, make sure it is aimed as described below with a minimum amount of obstructions. If possible, mount the panel facing toward the southern sky.

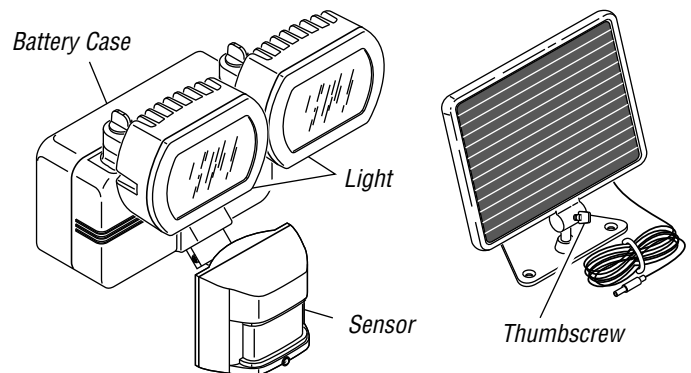
- **PRIOR TO USE, the battery will require 3 to 7 days of full sun to completely charge with the ON-TIME switch in the OFF position.** Plug the solar panel cable into the bottom of the battery case. If possible, aim the solar panel toward the south and tilt it approximately 50° from horizontal (see illustration on next page). If the solar panel cannot be aimed toward the south, then tilt the panel approximately 30° if possible.
- To verify battery is charged, slide the ON-TIME switch to TEST. Wait 2 minutes for sensor to warm up. If light comes on when motion is detected after warm up period, battery is charged and ready for use. If light does not come on, slide the ON-TIME to OFF. Recheck the light the next day.
- Actual operating time will vary depending upon how frequently the light is turned on by the motion sensor and amount of sunlight collected.
- Solar lighting is not designed to equal standard 120V lighting. The amount of light output is reduced to allow the sun time to fully recharge the battery between lighting cycles.

UNPACKING

Be sure to remove all contents from packaging and verify all items are present before assembling this light fixture. This package includes the following items:

Solar Light Fixture

Solar Panel



Mounting Screws (2 sizes)



Tapered Screw (3)



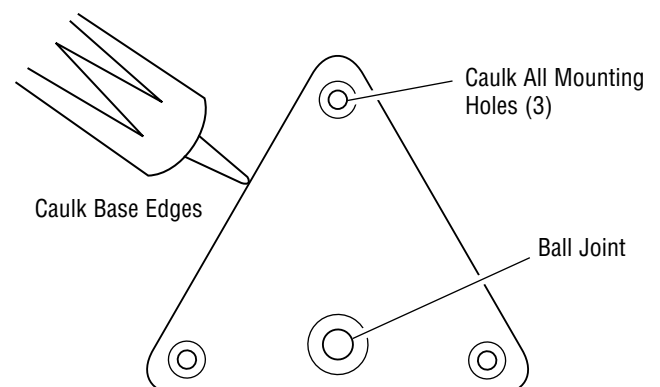
Round Head Screw (2)

INSTALLATION

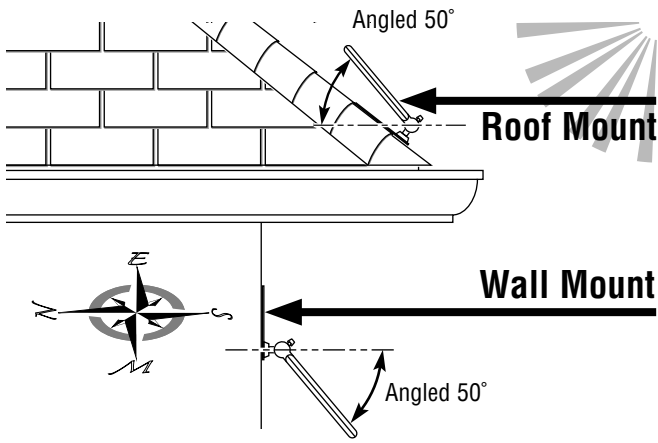
For best performance, mount the fixture about 8 feet (2.4 m) above the ground. For best solar collection, mount the solar panel on a southern facing surface. *Note:* If fixture is mounted higher than 8 ft. (2.4 m), aiming the sensor down will reduce coverage distance.

1. **Mount Solar Panel.** Allow for enough wire to reach the battery case. Attach triangular base to a solid surface using three tapered screws. **IMPORTANT: Caulk around the base and on top of the tapered screw heads after installation.**

Note: See *Initial Battery Charge* and illustration on next page for solar panel setup information.



Three Mounting Holes for Solar Panel Base

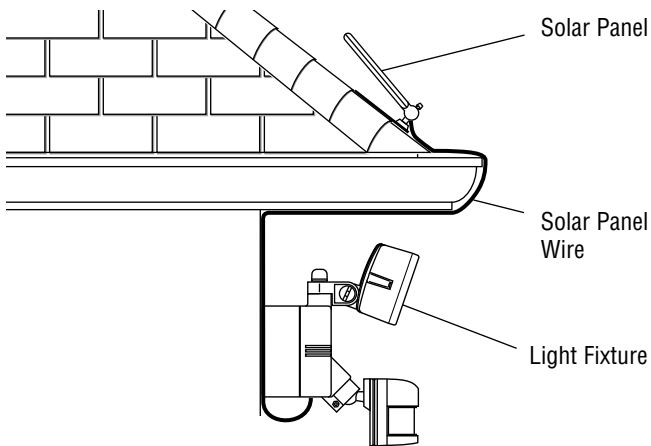
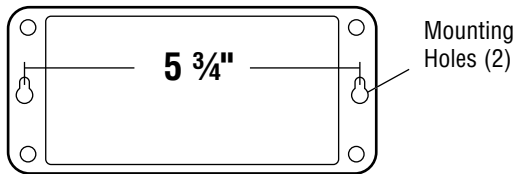


Mounted Solar Panel

Note: Solar panel should be mounted as shown above when installed (depending upon type of installation). After adjusting solar panel, tighten the thumbscrew on the bottom of the solar panel.

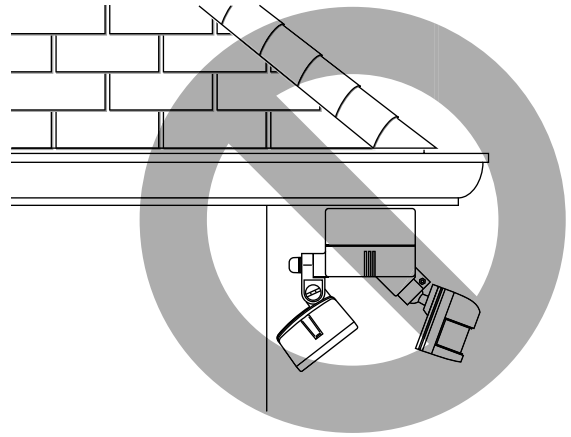
2. **Mount Light Fixture.** Attach the battery case to a solid surface using two round-head screws and the keyholes on the back of the case.

Note: Use the included mounting template to help mark the mounting hole locations.



Wall Mounted Light

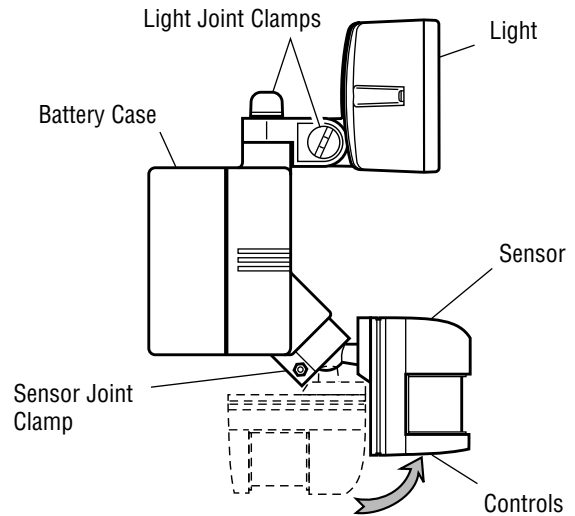
Note: Light fixture and sensor should be mounted as shown above when installed (depending upon type of installation).



Do Not Mount Under Eaves

3. **Adjust sensor.** For proper operation, the sensor head must be rotated so that the sensor controls face downward as shown below.

IMPORTANT: The controls must face downward to avoid damage from rain. If controls face upward, move sensor to the original down position, rotate 180°, then raise to the position shown below.

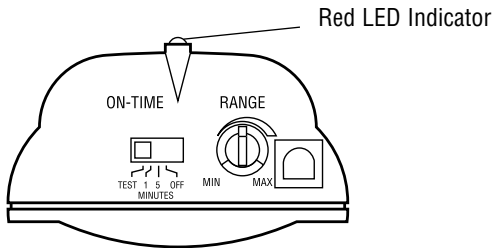


4. Plug the solar panel cable into the bottom of the battery case. **IMPORTANT:** Allow the battery to charge with 3 to 7 days of full sunshine before testing. To verify battery is charged, slide the ON-TIME switch to test. Wait 2 minutes for sensor to warm up. If light comes on when motion is detected after warm up period, battery is charged and ready for use. If light does not come on, slide the ON-TIME to OFF. Recheck the light the next day.

TEST AND ADJUSTMENT

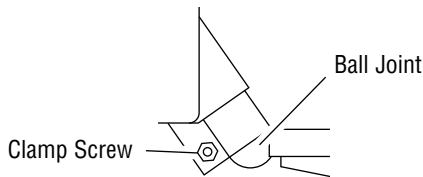
NOTE: Sensor has a 2 minute warm up period before it will detect motion. When switching modes wait 2 minutes.

1. Slide the sensor switch to the TEST position.
2. Place the RANGE adjustment in the medium position (halfway between MIN and MAX position).



Bottom of Sensor

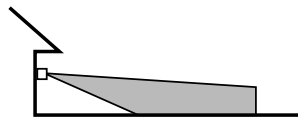
3. Loosen the clamp screw in the sensor ball joint.



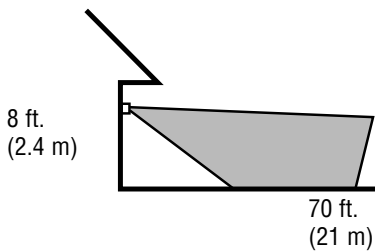
4. Walk through the coverage area noting when the lights turn on. Gently move the sensor head up, down, or sideways to change the coverage area. **Note:** Wait 5 to 10 seconds after light turns off to retest.



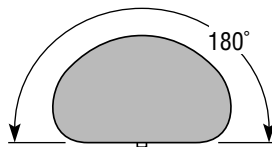
Aim Sensor Down for Short Coverage



Aim Sensor Higher for Long Coverage



Maximum Range



Maximum Coverage Angle

5. Increase RANGE only as needed. A higher RANGE setting may cause false triggering and reduce battery life.
6. Secure the sensor into position by tightening the clamp screw. Do not overtighten the screw.
7. After dark, loosen the light joint clamps and adjust the light to cover desired area. Tighten joint clamps when desired area is covered.

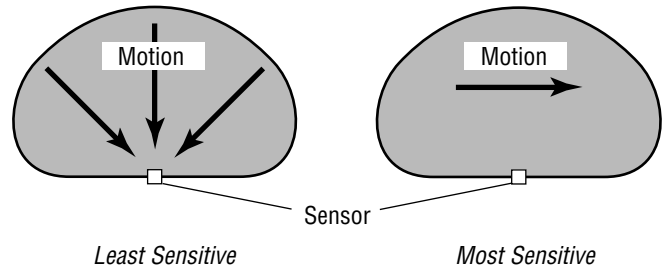
Adjustment of Coverage Area

The sensor detects “motion” by the movement of heat (body heat) across the coverage area. However, following are examples of objects that also produce heat and can cause the sensor to false trigger:

- Pools of Water
- Air Conditioners
- Dryer Vents
- Fenced-In Animals
- Heating Vents
- Automobile Traffic

If you suspect that a heat source of this type is falsely triggering the sensor, try reducing the RANGE or aiming the sensor away from the heat source in question.

Note: The detector is less sensitive to motion directly towards it and more sensitive to across motion.



OPERATION

Place the sensor switch in the 1 or 5 minute mode for normal operation. If the light is not needed, put the switch in the OFF position.

Mode:	On-Time	Works:	Day	Night
Test	5 Seconds		X	X
Auto	1 or 5 Minutes			X

IMPORTANT: To conserve battery power, this light has an automatic dimming feature when using the 5 minute setting. After all motion has stopped, the light will remain full bright for 2 ½ minutes. After 2 ½ minutes, the light will dim to about 1/3 power for the remainder of the 5 minute timer.

THINGS TO REMEMBER

- Periodically clean the solar panel with a soft cloth and warm water. Do not hose spray. Keep the collector clear of snow and leaves. Make sure trees and other objects do not block sunlight from the panel.
- If not to be used for several weeks, turn the unit OFF. Store it with the panel connected and where the panel can gather sunlight.
- Solar collection is only effective in direct sunlight. Every hour the light is on requires a minimum of 16 hours of sunlight charging. Solar panels collect less than 10% of the sun's energy.
- Several days of use with overcast skies may discharge the battery. Because of the battery protection circuit, the light will not work until the battery is sufficiently recharged. *Note:* To determine if the battery is charged after the initial setup, watch the red LED on the front of the sensor. If it blinks when motion is sensed, then the battery is charged. If not, then turn the ON-TIME switch to off and allow the sun to charge the battery for 3 to 7 days. Test the battery as described under Initial Battery Charge, page 1.
- This light is supplied with two permanent LED lamps. The LED's are rated to provide a minimum of 40,000 hours of light output and do not need to be replaced.

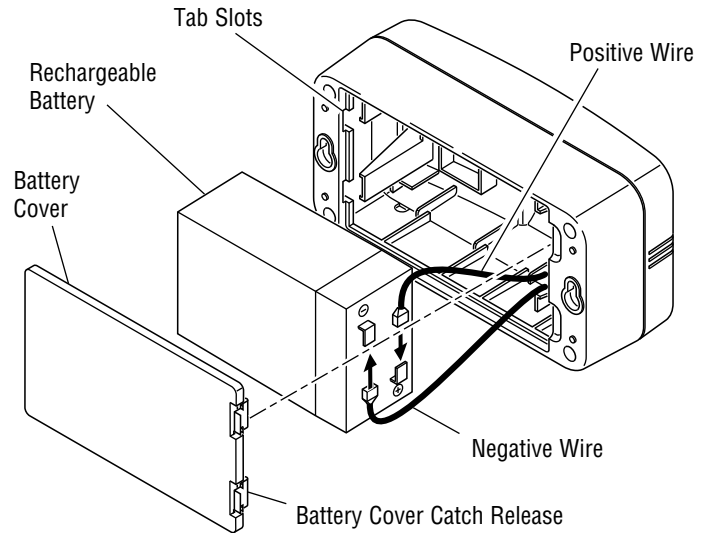
BATTERY REPLACEMENT

This solar light contains a rechargeable battery that can be replaced if needed. Rechargeable batteries will eventually lose their ability to hold a charge. To replace the battery follow the steps below.

IMPORTANT: The sealed lead-acid battery must be recycled or disposed of properly

1. Remove rear battery cover. Press in the two catch releases on the cover and remove the cover.
2. Remove rechargeable battery. Slide battery out of case and remove the wire connectors from the battery.
3. Replace battery. Connect the RED wire connector to the positive (+) terminal and the BLACK wire connector to the negative (-) terminal. Wire connectors should fit tightly. If not, remove the wire connector from the terminal. Use a pair of pliers to gently squeeze the connector to ensure a tight fit. Reconnect wire connector to the terminal.
4. Replace battery cover. Insert the two tabs on the cover into the slots on the back of the case. Press the cover against the case until the two catch releases snap into place.

IMPORTANT: Keep sensor switch in the "OFF" position for 3 to 7 days to allow the battery to fully charge before testing.



SPECIFICATIONS

Range	Up to 70 ft. (21 m); [varies with surrounding temperature]
Sensing Angle	Up to 180°
LED (x2)	6 watts
Battery Type	Sealed lead acid, 6 V 5.5 A-Hr.
On Time	TEST (5 seconds), 1 or 5 minutes, OFF, selectable
Full Charge on Time	Up to 2 hours

IMPORTANT: DO NOT reverse the battery wires. Damage to the unit will result. Like any lead-acid battery, this battery must be disposed of properly.

LiftMaster reserves the right to discontinue products and to change specifications at any time without incurring any obligation to incorporate new features in products previously sold.

TROUBLESHOOTING GUIDE

SYMPTOM	POSSIBLE CAUSE	SOLUTION
Lights will not come on.	<ol style="list-style-type: none"> 1. Battery is dead. 2. Sensor is turned OFF. 3. Daylight turn-off is in effect. 4. Incorrect aiming. 	<ol style="list-style-type: none"> 1. Switch the sensor OFF and let the battery charge for 3 to 7 sunny days before using again. 2. Turn sensor ON. 3. Recheck after dark. 4. Re-aim the sensor to cover desired area.
Lights come on in daylight.	<ol style="list-style-type: none"> 1. Light control may be installed in a relatively dark location. 2. Light control is in TEST 	<ol style="list-style-type: none"> 1. Relocate light control to an area that receives more light. 2. Set control switch to 1 or 5 minute position.
Lights come on for no apparent reason.	<ol style="list-style-type: none"> 1. Light control may be sensing small animals or automobile traffic. 2. Range is set too high. 	<ol style="list-style-type: none"> 1. Re-aim sensor. 2. Reduce RANGE.
Lights stay on continuously.	<ol style="list-style-type: none"> 1. Light control is pointed toward a heat source like an air vent, dryer vent, or brightly-colored heat-reflective surface. 2. Light control is in TEST. 	<ol style="list-style-type: none"> 1. Reposition sensor. 2. Set control switch to 1 or 5 minute position.
Lights flash on and off.	<ol style="list-style-type: none"> 1. Heat or light from the lamp may be turning the light control on and off. 2. Heat being reflected from other objects may be affecting the sensor. 3. Light control is in the TEST mode and warming up. 4. Battery is almost dead. 	<ol style="list-style-type: none"> 1. Reposition the lamps away from the sensor. 2. Reposition sensor. 3. Flashing is normal under these conditions. 4. Reduce RANGE. If flashing continues, switch the sensor OFF and let the battery charge for three or more sunny days before using again.

TECHNICAL SERVICE

Please call 1-800-528-9131 for assistance before returning product to store.

If you experience a problem, follow this guide. You may also want to visit our Web site at: www.liftmaster.com. If the problem persists, call* for assistance at **1-800-528-9131**, 8:00 AM to 5:00 PM CST (M-F). You may also write* to:

THE CHAMBERLAIN GROUP, INC.
 Technical Support Group
 6050 S. Country Club Road
 Tucson, AZ 85706

* If contacting Technical Service, please have the following information available: Model Number, Date of Purchase, and Place of Purchase.

No Service Parts Available for this Product

ONE YEAR LIMITED WARRANTY

This is a "Limited Warranty" which gives you specific legal rights. You may also have other rights which vary from state to state or province to province.

For a period of one year from the date of purchase, any malfunction caused by factory defective parts or workmanship will be corrected at no charge to you.

Not Covered - Repair service, adjustment and calibration due to misuse, abuse or negligence, light bulbs, batteries, and other expendable items are not covered by this warranty. Unauthorized service or modification of the product or of any furnished component will void this warranty in its entirety. This warranty does not include reimbursement for inconvenience, installation, setup time, loss of use, unauthorized service, or return shipping charges.

This warranty covers only LiftMaster assembled products and is not extended to other equipment and components that a customer uses in conjunction with our products.

THIS WARRANTY IS EXPRESSLY IN LIEU OF ALL OTHER WARRANTIES, EXPRESS OR IMPLIED, INCLUDING ANY WARRANTY, REPRESENTATION OR CONDITION OF MERCHANT ABILITY OR THAT THE PRODUCTS ARE FIT FOR ANY PARTICULAR PURPOSE OR USE, AND SPECIFICALLY IN LIEU OF ALL SPECIAL, INDIRECT, INCIDENTAL, OR CONSEQUENTIAL DAMAGES.

REPAIR OR REPLACEMENT SHALL BE THE SOLE REMEDY OF THE CUSTOMER AND THERE SHALL BE NO LIABILITY ON THE PART OF LiftMaster LLC FOR ANY SPECIAL, INDIRECT, INCIDENTAL, OR CONSEQUENTIAL DAMAGES, INCLUDING BUT NOT LIMITED TO ANY LOSS OF BUSINESS OR PROFITS, WHETHER OR NOT FORESEEABLE. Some states or provinces do not allow the exclusion or limitation of incidental or consequential damages, so the above limitation or exclusion may not apply to you. **Please keep your dated sales receipt, it is required for all warranty requests.**

LiftMaster®

Luz de sensor de movimiento LED activado con energía solar

Modelo 815LM

CARACTERÍSTICAS

- Prende la luz cuando detecta movimiento.
- Apaga la luz automáticamente.
- La fotocélula mantiene la luz apagada durante el día.
- **Circuito protector de la batería.** La unidad se apagará automáticamente cuando la batería está descargada. La unidad reanuda automáticamente la operación cuando a la batería se la carga a un nivel seguro.

CARGA INICIAL DE LA BATERÍA

El panel solar requiere luz de sol directa y total para cargar la batería. Condiciones climatológicas como nubes, lluvia, nieve y otros pueden evitar que el panel solar recargue completamente la batería. Otros obstáculos tales como edificios o árboles también pueden bloquear el sol.

Al instalar el panel solar, asegúrese de que esté orientado como se describe a continuación con una mínima cantidad de obstáculos. De ser posible, monte el panel con dirección al cielo sureño.

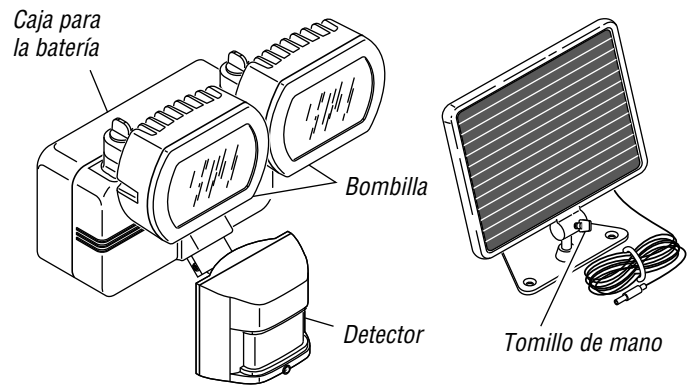
- **ANTES DE SU USO, la batería requerirá de 3 a 7 días de mucho sol para cargarse por completo con el interruptor ON-TIME en la posición OFF.** Enchufe el cable del panel solar en la parte inferior de la caja de la batería. Si es posible, apunte el panel solar hacia el sur e inclínelo por casi 50° del nivel horizontal (vea la ilustración en la siguiente página). Si al panel solar no se le puede apuntar hacia el sur, entonces incline el panel por casi 30° si es posible.
- Para comprobar que la batería está cargada, deslice el interruptor ON-TIME a la posición test. Espere 2 minutos para que el sensor se caliente. Si la luz se enciende al detectar movimiento después del periodo de calentamiento, esto indica que la batería está cargada y lista para usar. Si la luz no se prende, deslice el interruptor ON-TIME a OFF. Compruebe de nuevo la luz al siguiente día.
- El tiempo real de funcionamiento dependerá de cuan frecuentemente el detector de movimiento prende la luz y de la cantidad de luz solar acumulada.
- La luz solar no se iguala al alumbrado estándar de 120 voltios. La cantidad de producción de luz se reduce para permitir que el sol recargue por completo la batería entre los ciclos de alumbrado.

DESEMPAQUE

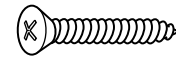
Asegúrese de retirar todo el contenido del empaque y verificar que todos los elementos estén incluidos antes de ensamblar este aparato de luz. Este paquete incluye los siguientes elementos:

Aparato de Luz Solar

Panel Solar



Tornillos de montaje (2 tamaños)



Tornillo de cabeza achaflanada (3)



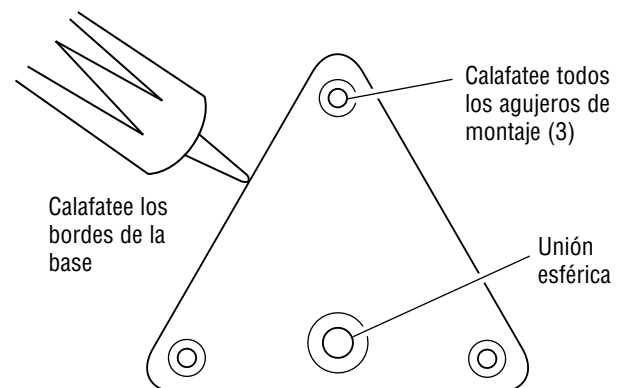
Tornillo de cabeza redonda (2)

INSTALACIÓN

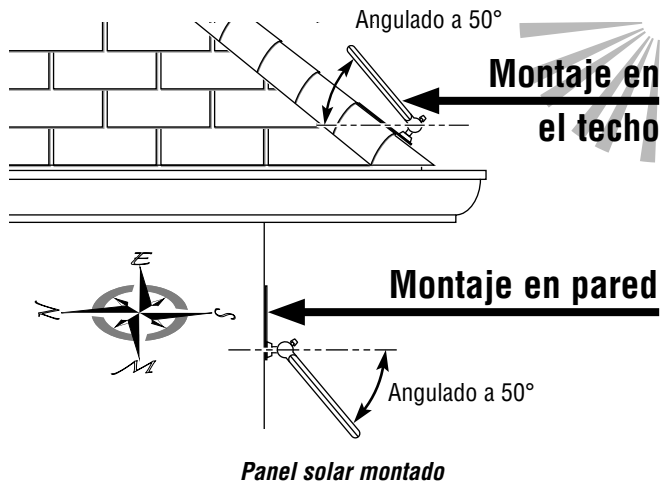
Para un mejor rendimiento, monte la unidad cerca de 2,4 m (8 pies) desde el piso. Para una mejor acumulación solar, monte el panel solar sobre una superficie que mire hacia el sur. *Nota:* Si el aparato está instalado a más de 8 pies (2,4 m), si se apunta el detector hacia abajo se reducirá la distancia de cobertura.

1. **Monte el Panel Solar.** Tenga suficiente alambre para que vaya hasta la caja de la batería. Sujete la base triangular a una superficie sólida usando tres tornillos cónicos. **IMPORTANTE: Calafatee alrededor de la base y sobre la cabeza de los tornillos cónicos después de la instalación.**

Nota: Vea *Carga Inicial de la Batería* y la ilustración en la siguiente página para información sobre el montaje del panel solar.

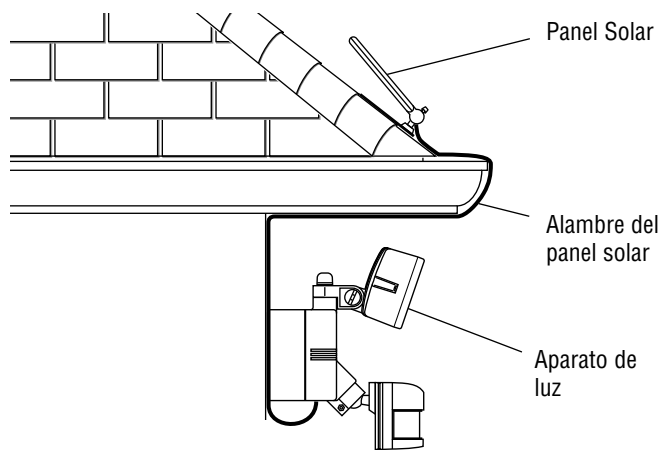
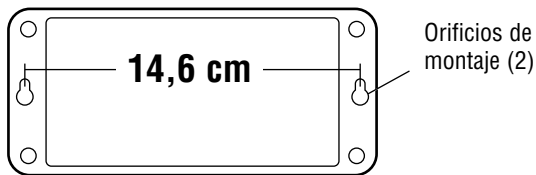


Tres agujeros de montaje para la base del panel solar



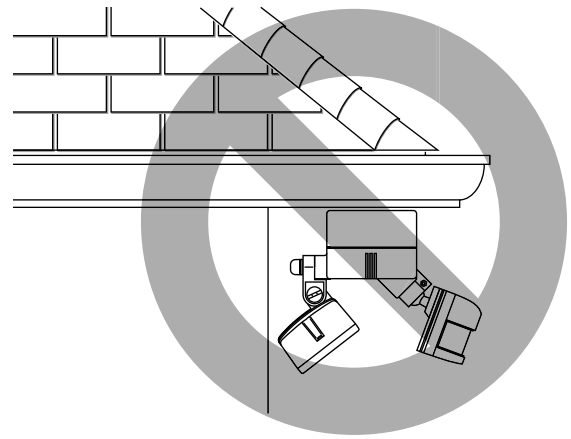
Nota: El panel solar debe ser montado como se muestra arriba cuando se lo instala (según el tipo de instalación).
Después de ajustar el panel solar, asegure el tornillo de mano en la base del panel solar.

2. **Instale el aparato de luz.** Sujete la caja de la batería a una superficie sólida usando los dos tornillos de cabeza redonda y los orificios de alineación de la parte posterior de la caja.
Nota: Use la plantilla de montaje incluida para marcar las ubicaciones del agujero de montaje.



Luz montada en la pared

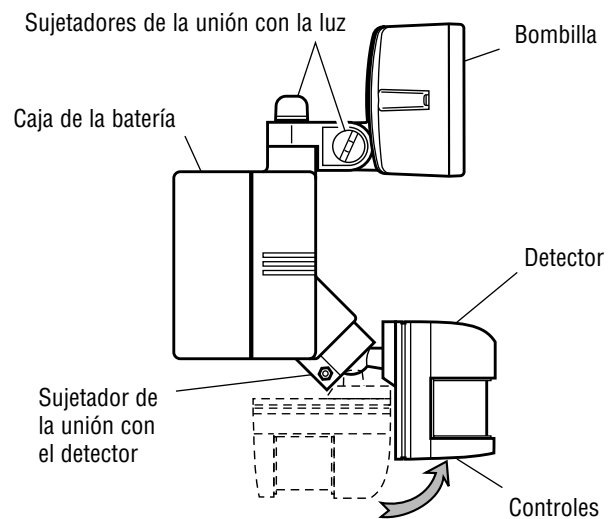
Nota: La lámpara y el sensor debe montarse como se indica arriba, una vez instalado (según el tipo de instalación).



No lo instale debajo de los aleros

3. **Acomode el Detector.** Para una operación correcta, la cabeza del detector debe girarse de modo que los controles del detector queden ubicados hacia abajo como se muestra a continuación.

IMPORTANTE: Los controles deben estar hacia abajo para que la lluvia no los dañe. Si los controles están hacia arriba, mueva el detector a su posición original de hacia abajo, gírelo por 180°, luego súbalo a la posición que se muestra abajo.

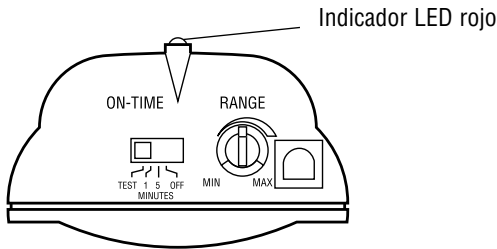


4. Enchufe el cable del panel solar en la parte inferior de la caja de la batería. **IMPORTANTE:** Deje que la batería se cargue de 3 a 7 días de mucho sol antes de hacer la prueba. Para comprobar que la batería está cargada, deslice el interruptor ON-TIME a la posición test. Espere 2 minutos para que el sensor se caliente. Si la luz se enciende al detectar movimiento después del periodo de calentamiento, esto indica que la batería está cargada y lista para usar. Si la luz no se prende, deslice el interruptor ON-TIME a OFF. Compruebe de nuevo la luz al siguiente día.

PRUEBA Y AJUSTE

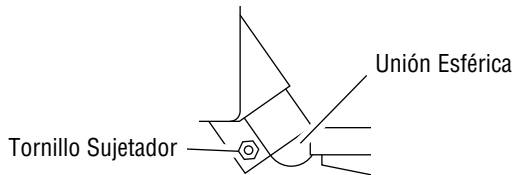
NOTA: El sensor tiene un periodo de calentamiento de 2 minutos antes de poder detectar movimiento. Espere 2 minutos al cambiar de un modo a otro.

1. Deslice el interruptor del detector a la posición de "PRUEBA" ("TEST").
2. Ponga el ajuste de ALCANCE en la posición media (en la mitad entre la posición MÍN y MÁX).

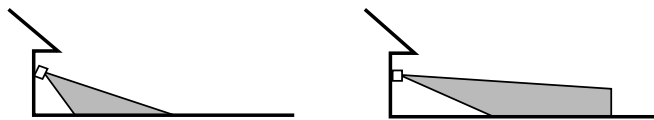


Parte inferior del detector

3. Afloje el tornillo sujetador en la unión esférica del detector.

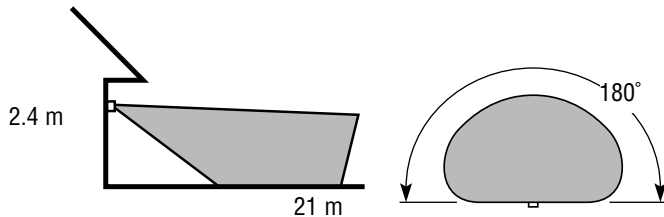


4. Camine por el área de cobertura y dése cuenta cuando las luces se prenden. Mueva suavemente la cabeza del detector hacia arriba, hacia abajo, hacia los lados para cambiar el área de cobertura. *Nota:* Espere de 5 a 10 segundos después que se apague la luz para probarla de nuevo.



Apunte el detector hacia abajo para una cobertura pequeña

Apunte el detector hacia arriba para una cobertura grande



Alcance Máximo

Ángulo de cobertura máxima

5. Aumente el ALCANCE solo cuando sea necesario. Una configuración de RANGO alta puede originar un detonador falso y reducir la vida de la batería.
6. Asegure la cabeza del detector en su sitio ajustando el tornillo sujetador. No sujete demasiado el tornillo.
7. Después del anochecer, afloje los sujetadores de la unión esférica de la luz y regule la luz para que cubra el área deseada. Ajuste los sujetadores de la unión cuando se haya cubierto el área deseada.

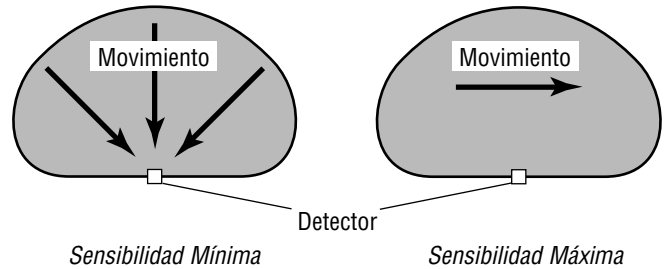
Regulación del Área de Cobertura

El detector detecta "movimiento" por el movimiento del calor (calor corporal) a través del área de cobertura. Sin embargo, a continuación están ejemplos de objetos que pueden producir calor y hacer que el detector active una falsa alarma:

- Charcos de agua
- Acondicionadores de aire
- Ventosas de la secadora
- Animales en vallas
- Ventosas de calefacción
- Tráfico automotor

Si sospecha que una fuente de calor de este tipo hace que el detector suene una falsa alarma, trate de reducir el ALCANCE o apunte el detector lejos de esa fuente de calor.

Nota: El detector es menos sensitivo al movimiento dirigido directamente hacia él y menos sensitivo a un movimiento al través.



FUNCIONAMIENTO

Ponga el interruptor del detector en la fase de 1 o 5 minutos para su funcionamiento normal. Si no se necesita la luz, ponga el interruptor en la posición OFF.

Modalidad:	Duración	Trabajos:	Día	Noche
Prueba	5 Seg.		X	X
Autom.	1 o 5 minutos			X

IMPORTANTE: Para conservar la energía de la batería, esta luz tiene una característica de oscurecimiento automático al usarse la configuración de 5 minutos. Después de que todo movimiento haya cesado, la luz permanecerá brillando por 2 ½ minutos. Después de 2 ½ minutos, la luz se oscurecerá hasta 1/3 de potencia por el resto del periodo de 5 minutos.

PUNTOS QUE SE DEBEN RECORDAR

- Limpie el panel solar periódicamente con un trapo suave y con agua tibia. No use una manguera. Mantenga el colector sin nieve y sin hojas. Asegúrese que los árboles y otros objetos no cubran la luz del sol dirigida al panel.
- Si no va a usar la por algunas semanas, APAGUE la unidad. Guárdela con el panel conectado y en un sitio donde el panel pueda guardar la luz solar.
- La colección solar es solo efectiva bajo la luz directa del sol. Por cada hora que la luz está prendida requiere un mínimo de 16 horas de carga de luz solar. Los paneles solares recolectan menos del 10% de la energía solar.
- Si la usa durante varios días nublados la batería se puede descargar. Debido al circuito de protección de la batería, la luz no trabajará hasta que la batería se haya recargado lo suficiente. *Nota:* Para determinar si la batería está cargada después de la configuración original, mire el LED rojo del frente del detector. Si parpadea cuando detecta movimiento, la batería está cargada. Si no, entonces gire el interruptor ON-TIME a off (apagado) y deje que el sol cargue la batería de 3 a 7 días. Pruebe la batería como se describe en *Carga Inicial de la Batería*, página 6.
- Esta luz viene con dos lámparas LED permanentes. Estas lámparas LED están clasificadas para proveer un mínimo de 40.000 horas de luz y no necesitan ser cambiadas.

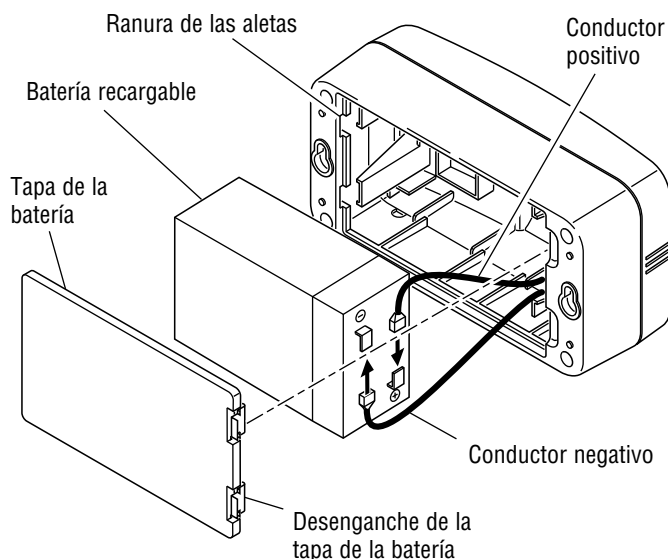
CAMBIO DE LA BATERÍA

Esta lámpara solar tiene una batería recargable que puede cambiarse si es necesario. Las baterías recargables eventualmente perderán su habilidad de conservar su carga. Para cambiar la batería siga las instrucciones que siguen.

IMPORTANTE: La batería de plomo-ácido sellada debe ser reciclada o desechada correctamente.

1. Retire la tapa posterior de la batería. Retire la tapa presionando en los sus desenganches.
2. Retire la batería recargable. Extraiga la batería de la caja y retire de la batería los conectores para alambre.
3. Cambie la batería. Conecte el conector ROJO para alambre al terminal positivo (+) y el conector NEGRO para alambre al terminal negativo (-). Los conectores de alambre deben quedar ajustados. Si no, quite el conector de alambre del terminal. Use alicates para apretar delicadamente el conector y asegurar un buen ajuste. Conecte de nuevo el conector de alambre al terminal.
4. Vuelva a colocar la tapa de la batería. Inserte las dos aletas de la tapa en las ranuras posteriores de la caja. Presione la tapa contra la caja hasta que los dos desenganches se sujeten a presión en su sitio.

IMPORTANTE: Mantenga el interruptor de la batería en la posición "OFF" de 3 a 7 días para dejar que la batería se cargue por completo antes de probarla.



ESPECIFICACIONES

Alcance	Hasta 21 m; [varía de acuerdo a la temperatura donde se encuentre]
Ángulo de detección	Up to 180°
LED (x2)	6 vatios
Tipo de batería	Batería sellada de plomo, 6 V 5.5A-Hr.
Duración	TEST (Prueba - 5 segundos), 1 o 5 minutos, OFF (Apagado), Elegible
Duración con carga completa	...	Hasta 2 horas

IMPORTANTE: NO reverse los cables de la batería. La unidad se dañará. Como cualquier batería de plomo, se debe disponer de esta batería como es debido.

LiftMaster se reserva el derecho de discontinuar los productos y de cambiar las especificaciones a cualquier hora sin incurrir en ninguna obligación de tener que incorporar las nuevas características en los productos vendidos anteriormente.

GUÍA DE ANÁLISIS DE AVERÍAS

SÍNTOMA	POSIBLE CAUSA	SOLUCIÓN
Las luces no se prenden.	<ol style="list-style-type: none"> 1. La batería está muerta. 2. El detector está APAGADO. 3. La modalidad de apagado durante el día está en efecto. 4. Está apuntando incorrectamente. 	<ol style="list-style-type: none"> 1. Ponga el detector en OFF y deje que la batería se cargue de 3 a 7 días de sol antes de usarla de nuevo. 2. PRENDA el detector. 3. Revíselo después del anochecer. 4. Apunte de nuevo el detector para cubrir el área deseada.
Las luces se prenden durante el día.	<ol style="list-style-type: none"> 1. El control de luz puede estar instalado en un lugar relativamente oscuro. 2. El control de luz está en posición de prueba. 	<ol style="list-style-type: none"> 1. Mueva el control de luz a un área que reciba más luz. 2. Fije el interruptor de control a la posición de 1 o 5 minutos
Las luces se prenden sin ninguna razón aparente.	<ol style="list-style-type: none"> 1. El control de luz puede estar detectando animales pequeños o tráfico de carros. 2. El alcance está calibrado demasiado alto. 	<ol style="list-style-type: none"> 1. Apunte de nuevo el detector. 2. Reduzca el alcance (RANGE).
Las luces se quedan prendidas continuamente.	<ol style="list-style-type: none"> 1. El control de luz está apuntando hacia una fuente de calor tal como una ventosa de aire o una superficie de color luminoso que refleja el calor. 2. El control de luz está en posición de PRUEBA (TEST). 	<ol style="list-style-type: none"> 1. Reposicione el detector. 2. Fije el interruptor de control a la posición de 1 o 5 minutos
Las luces se prenden y se apagan.	<ol style="list-style-type: none"> 1. El calor o la luz de la lámpara puede estar prendiendo y apagando el control de luz. 2. El calor que se refleja de otros objetos puede estar afectando al detector. 3. El control de luz está en modalidad de Prueba y calentándose. 4. La batería está casi muerta. 	<ol style="list-style-type: none"> 1. Reposicione las lámparas lejos del detector. 2. Reposicione el detector. 3. El destello es normal bajo estas condiciones. 4. Reduzca el alcance (RANGE). Si el destello continúa, APAGUE el detector y deje que la batería se cargue por tres o más días de sol antes de usarla de nuevo.

SERVICIO TÉCNICO

Favor de llamar al 1-800-528-9131 (sólo para hablar en inglés) para pedir ayuda antes de devolver el producto a la tienda.

Si tiene algún problema, siga esta guía. Usted puede también visitar nuestro sitio Web: www.liftmaster.com. Si el problema continúa, llame al **1-800-528-9131**, (sólo para hablar en inglés), de 8:00 AM a 5:00 PM CST (L-V). Usted puede también escribir a:

THE CHAMBERLAIN GROUP, INC.
 Technical Support Group
 6050 S. Country Club Road
 Tucson, AZ 85706

* Si se llama al Servicio Técnico, por favor tener lista la siguiente información: Número de Modelo, Fecha de compra y Lugar de compra.

No hay piezas de servicio disponibles para este producto.

GARANTÍA LIMITADA A 1 AÑO

Esta es una "Garantía Limitada" que le da a Ud. derechos legales específicos. Usted puede también tener otros derechos que varían de estado a estado o de provincia a provincia.

Por un período de 1 año desde la fecha de compra, cualquier mal funcionamiento ocasionado por partes defectuosas de fábrica o mano de obra será corregido sin cargo para Ud.

No cubierto - Servicio de reparación, ajuste y calibración debido al mal uso, abuso o negligencia, bombillas, baterías, u otras partes fungibles no están cubiertas por esta garantía. Los Servicios no autorizados o modificaciones del producto o de cualquier componente que se provee invalidarán esta garantía en su totalidad. Esta garantía no incluye reembolso por inconveniencia, instalación, tiempo de instalación, pérdida de uso, servicio no autorizado, o costos de transporte de retorno.

Esta garantía cubre solamente los productos ensamblados por LiftMaster y no se extiende a otros equipos o componentes que el consumidor usa junto con nuestros productos.

ESTA GARANTÍA ESTÁ EXPRESAMENTE EN LUGAR DE OTRAS GARANTÍAS, EXPRESADAS O SOBREETENDIDAS, INCLUYENDO CUALQUIER GARANTÍA, REPRESENTACIÓN O CONDICIÓN DE COMERCIABILIDAD O QUE LOS PRODUCTOS SE ADAPTEN PARA CUALQUIER PROPÓSITO O USO EN PARTICULAR, Y ESPECIFICAMENTE EN LUGAR DE TODOS LOS DAÑOS ESPECIALES, INDIRECTOS, INCIDENTALES Y CONSECUENTES.

LA REPARACIÓN O EL REEMPLAZO DEBERÍA SER LA ÚNICA SOLUCIÓN DEL CLIENTE Y NO HABRÁ RESPONSABILIDAD POR PARTE DE LiftMaster LLC POR CUALQUIER DAÑO ESPECIAL, INDIRECTO, INCIDENTAL O CONSECUENTE, INCLUIDOS PERO NO LIMITADOS A CUALQUIER PÉRDIDA DE NEGOCIO O GANACIAS SEAN O NO PREVISIBLES. Algunos estados o provincias no permiten la exclusión o limitación de daños incidentales o consecuentes, de modo que la limitación o exclusión arriba indicada puede que no se aplique a Ud. **Por favor guarde su recibo de venta fechado; se lo requiere para cualquier solicitud de garantía.**

LiftMaster®

Lumière à détecteur de mouvement DEL à alimentation solaire

Modèle 815LM

CARACTÉRISTIQUES

- Allume l'éclairage lorsqu'un mouvement est détecté.
- Éteint automatiquement l'éclairage.
- Photocellule qui maintient l'éclairage éteint pendant la période de lumière du jour.
- **Circuit de protection de la pile.** L'appareil se désactive lorsque la pile est faible, puis se réactive automatiquement lorsque la puissance de la pile est suffisante.

RECHARGE INITIALE DE BATTERIE

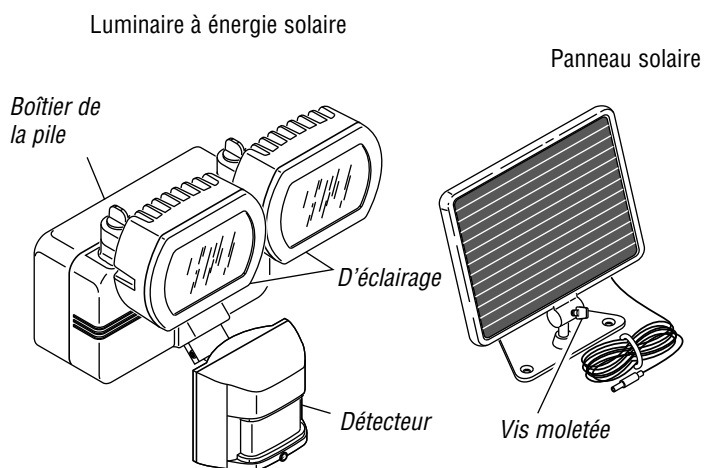
Le panneau lumineux nécessite de la lumière directe et à pleine intensité afin de recharger la pile. Les nuages, la pluie, la neige, et d'autres conditions météorologiques peuvent affecter le rechargement complet de la pile du panneau lumineux. D'autres obstructions, tels que les immeubles ou les arbres peuvent également bloquer le soleil.

Lors de l'installation du panneau solaire, assurez-vous qu'il pointe dans la direction indiquée ci-dessous avec un minimum d'obstructions. Si possible, installez le panneau dans la direction du sud-ouest.

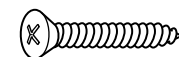
- **AVANT L'UTILISATION**, la batterie nécessitera 3 à 7 jours de plein soleil pour se recharger complètement avec l'interrupteur ON-TIME sur la position OFF. Branchez le cordon du panneau solaire au bas de compartiment des piles. Si possible, orientez le panneau solaire vers le sud et inclinez-le à environ 50° à l'horizontale (voir illustration en page suivante). Si le panneau solaire ne peut pas être orienté vers le sud, alors inclinez le panneau d'environ 30° si possible.
- Pour vérifier que la batterie est rechargée, faites glisser l'interrupteur ON-TIME pour tester. Attendez deux minutes pour que le capteur se réchauffe. Si la lumière s'allume lorsqu'un mouvement est détecté après la période de réchauffement, la pile est rechargée et prête à l'utilisation. Si la lumière ne s'allume pas, faites glisser l'interrupteur ON-TIME sur la position OFF. Vérifiez à nouveau la lumière le jour suivant.
- Le temps de fonctionnement réel variera en fonction de la fréquence d'allumage de la lumière par le détecteur de mouvement et la quantité de lumière solaire recueillie.
- L'éclairage solaire n'est pas conçu pour être égal à l'éclairage standard de 120V. La quantité de flux lumineux est réduite pour permettre au soleil d'avoir assez de temps pour complètement recharger la batterie entre les cycles d'éclairage.

DÉBALLAGE

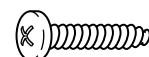
Retirez tout le contenu de l'emballage et assurez-vous d'avoir en main tous les éléments avant de débiter l'assemblage. L'emballage contient les éléments suivants :



Vis de montage (2 formats)



Vis à tête conique (3)



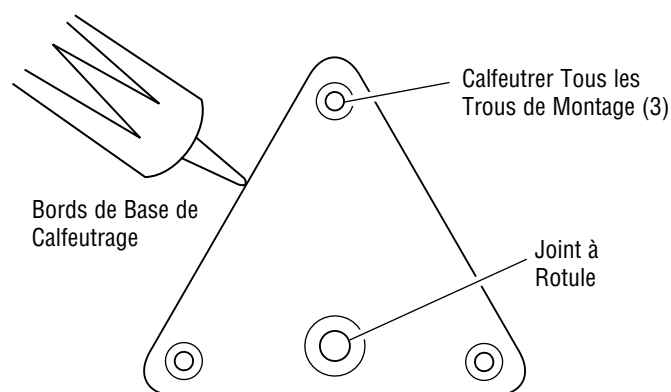
Vis à tête ronde (2)

INSTALLATION

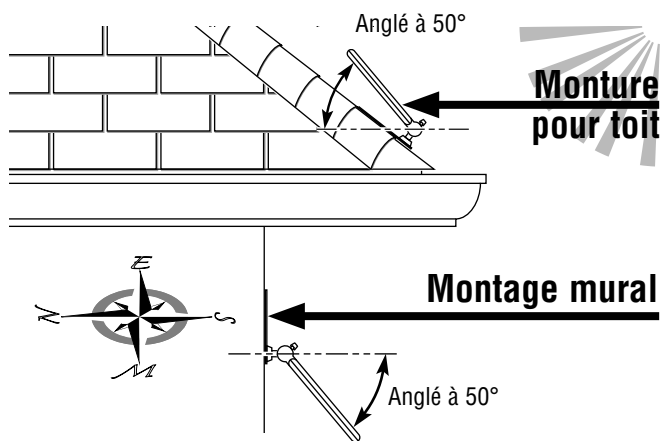
Pour un rendement supérieur, installer l'appareil à environ 2,4 m (8 pieds) du sol. Pour une meilleure collecte d'énergie solaire, montez le panneau solaire sur une surface étant orientée vers le sud. *Note* : Lorsque le luminaire est installé à une hauteur supérieure à 2,4 m (8 pieds), le fait de diriger le détecteur vers le bas réduit la portée de la couverture.

1. **Montez le Panneau Solaire.** Laissez suffisamment de fil pour atteindre le boîtier de la batterie. Attachez la base triangulaire à une surface solide à l'aide des trois vis coniques. **IMPORTANT :** Calfeutrez autour de la base et au sommet des têtes de vis coniques après l'installation.

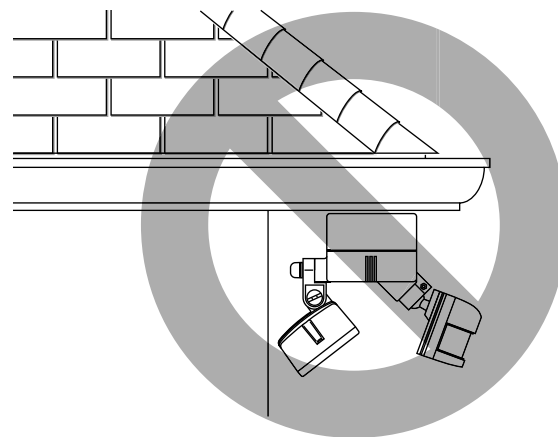
Note : Voir Recharge Initiale de Batterie et l'illustration sur la page suivante pour des informations concernant la configuration de panneau solaire.



Trois orifices de fixation pour le socle du panneau solaire



Panneau Solaire Monté



Ne Pas Monter Sous Avant-Toit

Note : Le panneau solaire doit être monté comme indiqué ci-dessus lorsqu'il est installé (selon le type d'installation).

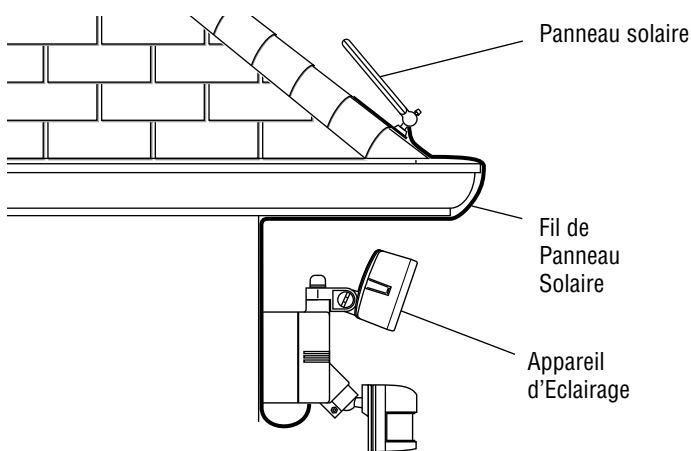
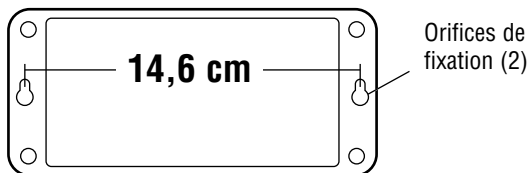
Après avoir ajusté le panneau solaire, serrez la vis moletée au bas du panneau solaire.

2. **Montez l'Appareil d'Éclairage.** Fixez le boîtier de la batterie à une surface solide au moyen de deux vis à tête ronde et des trous de serrure à l'arrière du boîtier.

Note : Utilisez le modèle de montage pour vous aider à marquer l'emplacement des trous de montage.

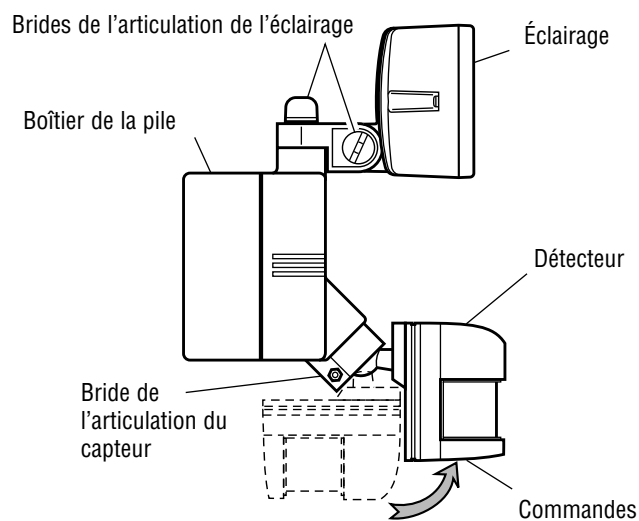
3. **Régler le capteur.** Pour fonctionner correctement, le capteur doit être placé de façon que les commandes soient face au sol, comme illustré ci-dessous.

IMPORTANT : Les commandes doivent pointer vers le sol pour éviter qu'elles ne soient endommagées par la pluie. Lorsque les commandes pointent vers le haut, replacer le capteur à la position originale, le faire pivoter de 180°, puis le relever comme indiqué dans l'illustration ci-dessous.



Lumière Montée sur Mur

Note : Le luminaire et capteur devraient être montés comme montré ci-dessus au cours de l'installation (selon le type d'installation.)



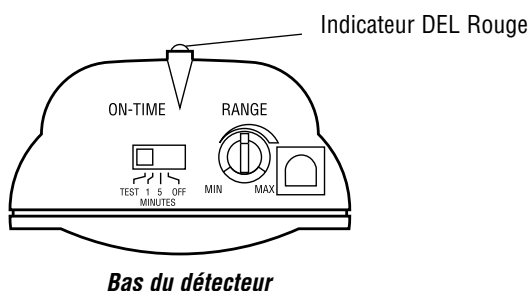
4. Brancher le câble du panneau solaire sous le boîtier de la pile.

IMPORTANT : Laissez la batterie se recharger 3 à 7 jours sous le soleil pour faire des essais. Pour vérifier que la batterie est rechargée, faites glisser l'interrupteur ON-TIME pour tester. Attendez deux minutes pour que le capteur se réchauffe. Si la lumière s'allume lorsqu'un mouvement est détecté après la période de réchauffement, la pile est rechargée et prête à l'utilisation. Si la lumière ne s'allume pas, faites glisser l'interrupteur ON-TIME sur la position OFF. Vérifiez à nouveau la lumière le jour suivant.

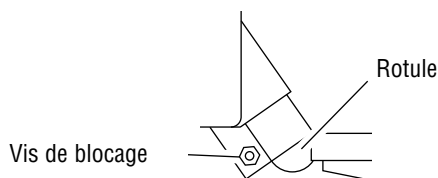
ESSAI ET RÉGLAGE

NOTE : Le capteur a une période de réchauffement de deux minutes avant de pouvoir détecter un mouvement. Attendez deux minutes lors d'un changement de mode.

1. Placer le commutateur du capteur en position TEST.
2. Placer la commande du réglage de la portée (RANGE) en position médiane (au centre des positions MIN et MAX).



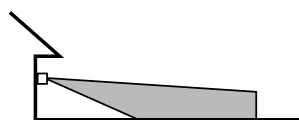
3. Desserrer la vis de blocage de la rotule.



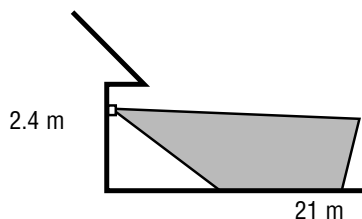
4. Se déplacer dans la zone de couverture en notant à quel endroit vous vous trouvez lorsque l'éclairage s'allume. Déplacer doucement le capteur vers le haut, vers le bas ou de côté pour régler la zone de couverture. Note : Attendre de 5 à 10 secondes après que l'éclairage s'est éteint avant de faire un nouvel essai.



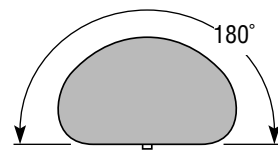
Pointer le détecteur vers le bas pour réduire la couverture



Pointer le détecteur vers le haut pour augmenter la couverture



Portée maximale



Angle de couverture maximale

5. Ne pas trop augmenter la portée (RANGE). Un réglage de RANGE plus élevé peut engendrer un faux déclenchement et réduire la vie de la batterie.
6. Fixer la tête du détecteur en position en serrant la vis de blocage. Éviter de trop serrer la vis.
7. À la nuit tombée, desserrez les brides communes du luminaire, puis réglez ce dernier de sorte à éclairer la zone souhaitée. Resserrez les brides une fois le réglage terminé.

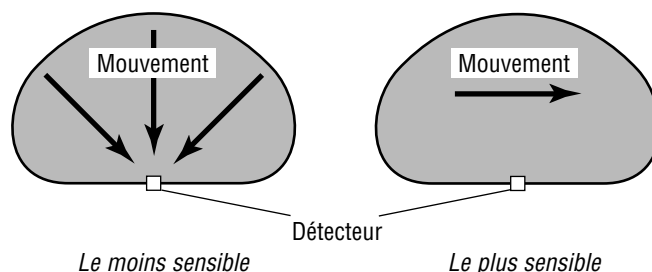
Réglage de la Zone de Couverture

Le capteur détecte les « mouvements » en décelant le passage d'une source de chaleur (chaleur corporelle) dans la zone de couverture. Voici toutefois des exemples d'objets qui dégagent aussi de la chaleur et qui, par conséquent, peuvent entraîner le déclenchement intempestif du capteur :

- Piscine
- Appareil de climatisation
- Événement de sécheuse
- Animaux en cage
- Événement de ventilation
- Circulation automobile

Si vous croyez qu'une source de chaleur de ce type entraîne le déclenchement par erreur du capteur, essayer de réduire la portée du capteur ou de l'orienter à l'écart de la source de chaleur en question.

Note : Le détecteur est moins sensible aux objets/personnes qui se dirigent directement vers lui qu'aux mouvements latéraux.



FONCTIONNEMENT

Placez le commutateur du détecteur en position 1 ou 5 minutes pour le fonctionnement normal. Si vous n'avez pas besoin d'éclairage, placer le commutateur en position OFF.

Mode:	Temps en circuit	En fonction:	Jour	Nuit
Essal	5 Secondes		X	X
Auto	1 ou 5 minutes			X

IMPORTANT: Afin de conserver la pile, cette lumière a une caractéristique de gradation automatique avec un réglage de cinq minutes. Après tout mouvement est arrêté, la lumière restera à pleine puissance pendant deux minutes et demi. Après deux minutes et demi, la lumière s'adoucirait peu à peu pendant le reste des cinq minutes.

RAPPEL

- Nettoyer périodiquement le panneau solaire au moyen d'un chiffon doux et d'eau chaude. Ne pas l'arroser directement au moyen du boyau. S'assurer que le panneau n'est pas couvert de feuilles ou de neige. S'assurer que la lumière du soleil n'est pas obstruée par des arbres ou d'autres objets.
- Si vous prévoyez ne pas vous servir de l'appareil pendant plusieurs semaines, placer le commutateur en position OFF. Entreposer l'appareil raccordé au panneau solaire, ce dernier étant placé de façon à pouvoir capter la lumière du soleil.
- Le capteur solaire fonctionne seulement lorsqu'il est directement exposé au soleil. Pour chaque heure d'éclairage, l'appareil doit être directement exposé au soleil pendant 16 heures pour assurer la recharge de la pile. Les panneaux solaires collectent moins de 10 % de l'énergie solaire.
- La pile risque de se décharger si l'appareil est utilisé pendant plusieurs journées nuageuses consécutives. En raison du circuit de protection de la pile, la lumière ne fonctionnera pas si la pile n'est pas suffisamment rechargée. Note : Pour déterminer si la batterie est rechargée après la configuration initiale, regardez la DEL rouge sur le devant du capteur. Si elle clignote quand le mouvement est senti, alors la batterie est rechargée. Sinon, alors éteignez l'interrupteur ON-TIME et laissez le soleil recharger la batterie pendant 3 à 7 jours. Testez la batterie comme décrit dans *Recharge Initiale de Batterie*, page 11.
- Ce luminaire est fourni avec deux lampes à DEL permanentes, dont la durée de fonctionnement est d'au moins 40 000 heures; elles n'ont donc pas à être remplacées.

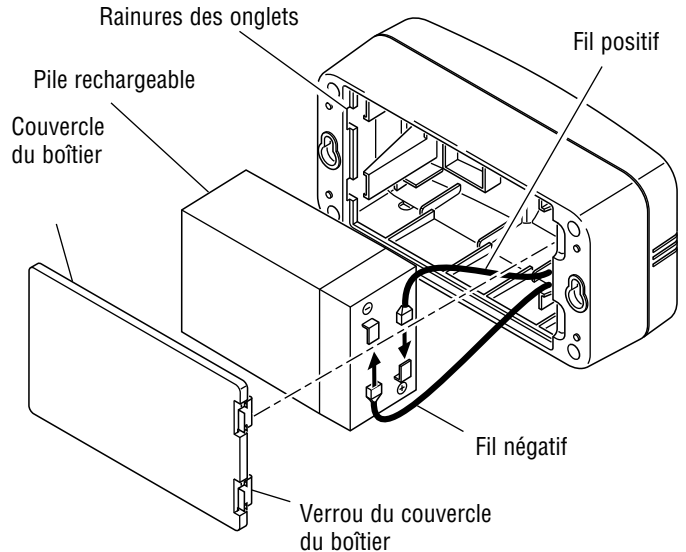
REPLACEMENT DE LA PILE

Ce luminaire à énergie solaire comporte une pile rechargeable qui peut être remplacée, au besoin. Les piles rechargeables perdent, avec le temps, la capacité de conserver leur charge. Suivre les étapes ci-après pour remplacer la pile.

IMPORTANT : La pile au plomb-acide scellée doit être recyclée ou correctement mise aux rebuts.

1. Retirer le couvercle arrière du boîtier de la pile. Appuyer sur les deux verrous du couvercle, puis enlever celui-ci.
2. Retirer la pile rechargeable. Faire glisser la pile hors du boîtier, puis débrancher les connecteurs des bornes.
3. Remplacer la pile. Raccorder le connecteur ROUGE à la borne positive (+) et le connecteur NOIR à la borne négative (-). Les capuchons de connexion devraient être bien ajustés. Sinon, retirez le capuchon de connexion de la borne. Utilisez une paire de pinces pour presser doucement le connecteur pour assurer un ajustement serré. Rebranchez le capuchon de connexion à la borne.
4. Remettre le couvercle en place en insérant les deux onglets dans les rainures à l'arrière du boîtier. Appuyer sur le couvercle pour le repousser dans le boîtier jusqu'à ce que les deux verrous s'encliquètent en place.

IMPORTANT : Gardez l'interrupteur de capteur dans la position « OFF » pendant 3 à 7 jours pour permettre à la batterie de se recharger complètement avant l'essai.



FICHE TECHNIQUE

Portée	Jusqu'à 21 m (70 pi) [Varie selon la température ambiante]
Angle de détection	Jusqu'à 180°
DEL (2)	6 W
Type de pile	Scellée au plomb-acide, 6V, 5,5 AH
Durée de fonctionnement.	TEST (Essai - 5 secondes), 1 ou 5 minutes, OFF (Hors circuit), réglable
Durée de fonctionnement, à pleine charge.	Jusqu'à 2 heures

IMPORTANT : NE PAS inverser les fils de la pile, cela pourrait endommager l'appareil. Comme c'est le cas avec toutes les piles au plomb-acide, cette pile doit être correctement mise aux rebuts ou recyclées.

LiftMaster se réserve le droit d'abandonner tout produit et d'en changer les spécifications, en tout temps et sans contracter quelque obligation que ce soit quant à l'incorporation de nouvelles caractéristiques aux produits déjà vendus.

GUIDE DE DÉPANNAGE

SYMPTÔME	CAUSE POSSIBLE	SOLUTION
L'éclairage ne s'allume pas.	<ol style="list-style-type: none"> 1. La pile est à plat. 2. Le capteur est en position OFF. 3. La fonction de fermeture pendant le jour est activée. 4. Mauvaise orientation. 	<ol style="list-style-type: none"> 1. Éteignez le capteur et laissez la batterie se recharger pendant 3 à 7 jours ensoleillés avant d'utiliser à nouveau. 2. Placer le commutateur en position ON. 3. Essayer de nouveau après la tombée de la nuit. 4. Orienter de nouveau le capteur pour couvrir la zone désirée.
L'éclairage s'allume en plein jour.	<ol style="list-style-type: none"> 1. La commande peut être installée dans un endroit relativement sombre. 2. La commande est en mode TEST. 	<ol style="list-style-type: none"> 1. Déplacer la commande d'éclairage vers un endroit mieux éclairé. 2. Placez le commutateur de commande en position 1 ou 5 minutes
L'éclairage s'allume sans raison apparente.	<ol style="list-style-type: none"> 1. La commande peut détecter de petits animaux ou la circulation automobile. 2. La portée est trop grande. 	<ol style="list-style-type: none"> 1. Réorientez le détecteur. 2. Réduire la portée (RANGE).
L'éclairage demeure allumé continuellement.	<ol style="list-style-type: none"> 1. La commande d'éclairage est pointée vers une source de chaleur comme un évent, une sortie de sècheuse, ou une surface claire qui réfléchit la chaleur. 2. La commande d'éclairage est en mode TEST. 	<ol style="list-style-type: none"> 1. Repositionnez le détecteur. 2. Placez le commutateur de commande en position 1 ou 5 minutes
L'éclairage clignote.	<ol style="list-style-type: none"> 1. La chaleur ou l'éclairage des lampes peut éteindre et allumer la commande d'éclairage. 2. La chaleur réfléchi par les objets environnants peut affecter le détecteur. 3. La commande est en mode test et se réchauffe. 4. La pile est presque à plat. 	<ol style="list-style-type: none"> 1. Repositionnez les lampes loin du détecteur ou des objets rapprochés. 2. Repositionnez le détecteur. 3. Le clignotement est normal dans ces conditions. 4. Réduire la portée (RANGE). Si le clignotement se poursuit, placer le capteur à OFF, puis attendre que la pile se recharge pendant au moins 3 jours ensoleillés consécutifs avant d'utiliser à nouveau l'appareil.

SERVICE TECHNIQUE

Veillez faire le 1-800-528-9131 (service en anglais seulement) pour obtenir de l'aide avant de retourner l'article au magasin.

En cas de problème, suivez ce guide. Vous pouvez aussi visiter notre site Web à www.liftmaster.com. Si le problème persiste, composez* le **1-800-528-9131**, (service en anglais seulement), entre 8 h 00 et 17 h 00, HNC, du lundi au vendredi. Vous pouvez aussi écrire au :

THE CHAMBERLAIN GROUP, INC.
 Technical Support Group
 6050 S. Country Club Road
 Tucson, AZ 85706

* Lors d'un appel au service technique, veuillez avoir les renseignements suivants à portée de main : numéro du modèle, date d'achat et endroit de l'achat.

Aucune pièce de rechange n'est disponible pour ce produit.

GARANTIE LIMITÉE DE 1 AN

Il s'agit d'une « Garantie limitée » qui vous confère des droits juridiques spécifiques. Vous pouvez également jouir d'autres droits, variables d'une province à l'autre.

Pendant une période de 1 an à compter de la date d'achat, toute anomalie de fonctionnement imputable à un vice de matériau ou de main-d'oeuvre sera corrigée gratuitement.

Exclusions de la garantie - Réparations, réglage et calibrage dus à une mauvaise utilisation, un mauvais traitement ou à la négligence. Les ampoules, les piles et des autres articles non durables ne sont pas couverts par cette garantie. Le service non autorisé ou la modification du produit ou d'un ou l'autre de ses composants fournis invalidera totalement la présente garantie. Cette garantie n'inclut pas le remboursement pour le dérangement, l'installation, le réglage, la perte d'utilisation, le service non autorisé ou les frais d'expédition pour le renvoi de la marchandise.

La garantie ne couvre que les produits assemblés LiftMaster et ne s'étend pas aux autres équipements et composants que le client pourrait utiliser conjointement avec nos produits.

CETTE GARANTIE TIEN EXPRESSÉMENT LIEU DE TOUTES AUTRES GARANTIES, EXPLICITES OU IMPLICITES, Y COMPRIS DE TOUTE GARANTIE DE REPRÉSENTATION OU DE CONDITION DE CONVENANCE À LA COMMERCIALISATION OU À L'EFFET QUE LES PRODUITS CONVIENNENT À UN BUT OU À UNE UTILISATION PARTICULIÈRE, ET SPÉCIFIQUEMENT DE TOUS DOMMAGES SPÉCIAUX, DIRECTS, INDIRECTS OU SECONDAIRES.

LE REMPLACEMENT OU LA RÉPARATION CONSTITUENT LE SEUL RECOURS DU CLIENT ET LiftMaster NE POURRA ÊTRE TENUE RESPONSABLE DE TOUS DOMMAGES SPÉCIAUX, DIRECTS, INDIRECTS OU SECONDAIRES, Y COMPRIS, SANS S'Y LIMITER, LES PERTES COMMERCIALES ET PERTES DE PROFIT, QU'ELLES SOIENT PRÉVISIBLES OU NON. Certaines provinces n'autorisent pas l'exclusion ou la limitation des dommages indirects ou secondaires, et la limitation ou l'exclusion ci-dessus pourrait ne pas s'appliquer à vous. **Veillez conserver le reçu portant la date d'achat; vous en aurez besoin pour toutes vos demandes liées à la garantie.**

LiftMaster®

Purchase Information
Información de la compra
Renseignements d'achat

Model #: _____ **Date of Purchase:** _____
Nº de modelo / Nº de modèle **Fecha de compra / Date d'achat**

Staple Purchase Receipt Here
Engrape aquí el recibo de compra
Agrafez le reçu d'achat ici

**PLEASE KEEP YOUR DATED SALES RECEIPT,
IT IS REQUIRED FOR ALL WARRANTY REQUESTS.**

**POR FAVOR GUARDE SU RECIBO DE VENTA FECHADO ; SE LO
REQUIERE PARA CUALQUIER SOLICITUD DE GARANTÍA.**

**VEUILLEZ CONSERVER LE REÇU PORTANT LA DATE D'ACHAT;
VOUS EN AUREZ BESOIN POUR TOUTES VOS DEMANDES
LIÉES À LA GARANTIE.**