

# CHAMBERLAIN®

## POWER DRIVE™ / Whisper Drive®

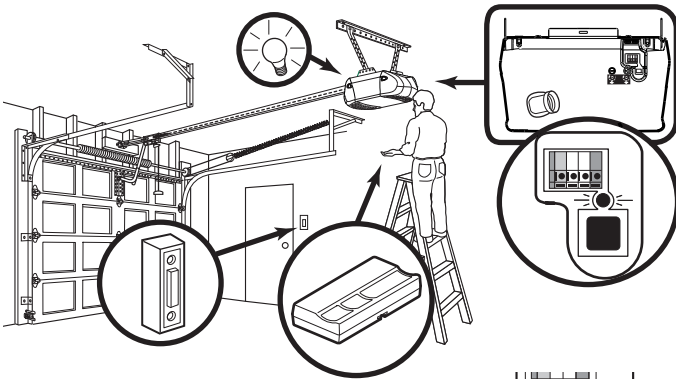
### Model 953D 3-Button Security+® Remote Control OWNER'S MANUAL

For use with 315 MHz Security+® garage door openers and light controls that have a purple "learn" button. The code between the remote control and the receiver changes with each use, randomly accessing over a billion new codes.

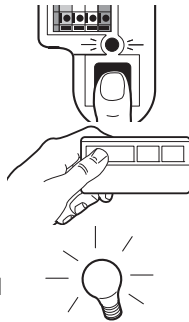
**NOTE:** If using with a gate operator refer to gate operator manual for programming instructions. Manuals are also available on-line at [chamberlain-diy.com](http://chamberlain-diy.com).

The additional push buttons can also activate other 315 MHz garage door openers and/or light controls. (Instructions for programming light products are included with those accessories.)

#### Instructions Are Described and Illustrated Below



1. Press and release the "learn" button on the motor unit. The learn indicator light will glow steadily for 30 seconds.
2. Within 30 seconds, press and hold the button on the hand-held remote.
3. Release the button when the motor unit light blinks. It has learned the code. If light bulbs are not installed, two clicks will be heard.



#### To Erase All Codes From Motor Unit Memory

To deactivate any unwanted remote, first erase all codes:

Press and hold the "learn" button on motor unit until the learn indicator light goes out (approximately 6 seconds). All previous codes are now erased. Reprogram each remote or keyless entry you wish to use.



#### Replacement Parts

3V2032 Lithium battery	.....10A20
Visor clip	.....29B137
Owner's manual	.....114A3104
Owner's manual - Spanish	.....114A3104SP

### ⚠ WARNING

To prevent possible SERIOUS INJURY or DEATH from a moving gate or garage door:

- ALWAYS keep remote controls out of reach of children. NEVER permit children to operate, or play with remote control transmitters.
- Activate gate or door ONLY when it can be seen clearly, is properly adjusted, and there are no obstructions to door travel.
- ALWAYS keep gate or garage door in sight until completely closed. NEVER permit anyone to cross path of moving gate or door.

#### To Control the Opener Lights

In addition to operating the door, you may program the remote to operate the lights.

1. With the door closed, press and hold the remote button that you want to control the light.
2. Press and hold the Light button on the door control.
3. Press and hold the Lock button on the door control.
4. After the opener lights flash, release all buttons.

Test by pressing the remote push button. The opener lights should turn on or off but the door should not move.

#### The Remote Control Battery

### ⚠ WARNING

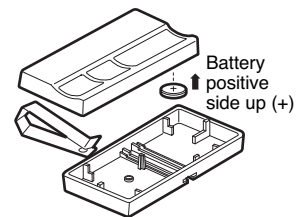
To prevent possible SERIOUS INJURY or DEATH:

- NEVER allow small children near batteries.
- If battery is swallowed, immediately notify doctor.

To reduce risk of fire, explosion or chemical burn:

- Replace ONLY with 3V2032 coin batteries.
- Do NOT recharge, disassemble, heat above 212°F (100°C) or incinerate.

The 3V2032 lithium battery should produce power for up to 5 years. To replace battery, use the visor clip or screwdriver blade to pry open the case as shown. Insert battery positive side up. Dispose of old battery properly. Replace the batteries with only 3V2032 coin cell batteries.



**NOTICE:** To comply with FCC and or Industry Canada (IC) rules, adjustment or modifications of this receiver and/or transmitter are prohibited, except for changing the code setting or replacing the battery. THERE ARE NO OTHER USER SERVICEABLE PARTS.

Tested to Comply with FCC Standards FOR HOME OR OFFICE USE. Operation is subject to the following two conditions: (1) this device may not cause harmful interference, and (2) this device must accept any interference received, including interference that may cause undesired operation.

**FOR SERVICE DIAL OUR TOLL FREE NUMBER:  
1-800-528-9131**